

Model Number
2025E

MODAL EXCITER

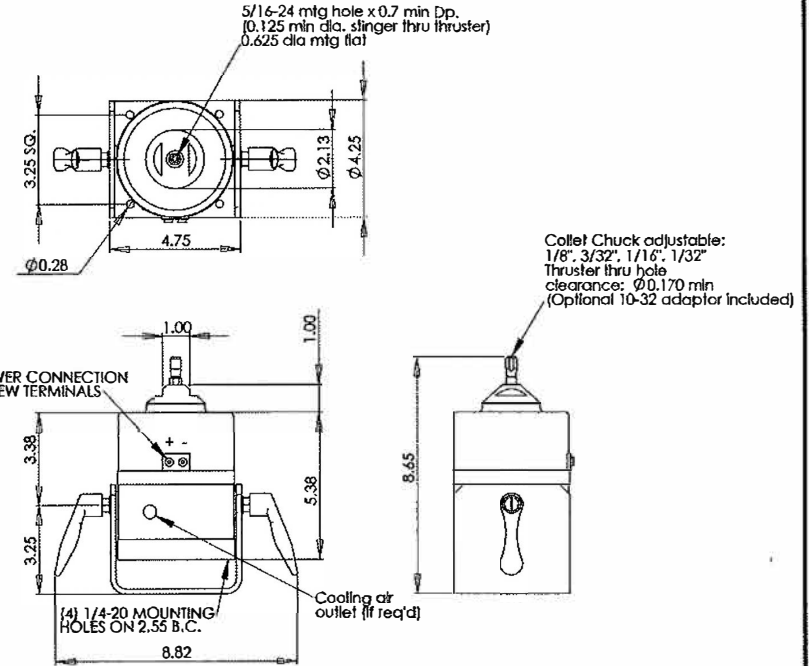
Revision: C
ECN #:

PERFORMANCE

Sine Force	lbf pk (N pk)	13 (58)
Natural Air Cooling		
Max. Displacement		
Continuous pk-pk	in (mm)	0.7 (18)
Mechanical Stops	in (mm)	0.75 (19)
Frequency Range ¹	Hz	DC-9000
Fundamental Resonance ¹	Hz	>6000
Maximum Velocity	ips pk (m/s pk)	120 (3)
Acceleration ^{1,2}		
Bare Table (w/collet)	g pk	32
0.5 lb (0.23 kg) load	g pk	16
2.5 lb (1.13 kg) load	g pk	8
Maximum Acceleration at Resonance	g pk	200

PHYSICAL

Armature Weight	lb (kg)	0.35 (0.159)
Suspension Stiffness	lbf/in (N/mm)	15 (2.6)
Rated Armature Current		
Natural Cooling	A rms	9
Stray Magnetic Field		
1.5 in (38 mm) above collet	Gauss	<10
0.5 in (13 mm) from body	Gauss	<15
Dimensions	in (mm) HxWxD	8.65 x 8.82 x 4.25 (220 x 224 x 108)
Shaker Weight (with Trunnion)	lb (kg)	13 (6)



RELATED EQUIPMENT:

2100E21-400 SmartAmp™ Power Amplifier, voltage mode.
2050E05 Linear Power Amplifier, selectable voltage / current mode
2150G12 Modal Stingers, 1/16 in diameter rod with 10-32 threaded end, pack of three
2155G12 Modal Stingers, 3/32 in diameter rod with 10-32 threaded end, pack of three
K2160G Piano Wire Stinger Kit, includes quick disconnect load cell adapter

NOTES:

- ¹ Load dependent
- ² Please see systems ratings for additional specs.

SUPPLIED ACCESSORIES:

- Qty 1 exciter cable
- Qty 1 2000X03 shaker accessory kit (with stingers)

All specifications are at room temperature unless otherwise specified.

ICP® is a registered trademark of PCB Piezotronics, Inc.

In the interest of constant product improvement, specifications may change without notice.

Project Engineer: <i>ATG</i>	Product Manager: <i>HAR</i>	Mkt Team Leader: <i>Shub</i>	Spec Number: PS-0054
Date: <i>8/22/13</i>	Date: <i>8/22/13</i>	Date: <i>8/22/13</i>	

THE MODAL SHOP
AN AMPHENOL COMPANY

10310 Aerohub Boulevard
Cincinnati, OH 45215, USA

800-860-4867 Fax (513) 458-52172
513-351-9919

info@modalshop.com
SAM-F020 revNR 04/04/03