

Model Number
2100E11

100 LBF MODAL EXCITER

Revision: C
ECN #:

PERFORMANCE

Output Force, sine pk	100 (440)	lbf (N)	[1]
Output Force, random RMS	70 (310)	lbf (N)	[1]
Output Force, sine pk (natural air cooling)	50 (220)	lbf (N)	[2]
Stroke Length, pk-pk	1.0 (25.4)	in (mm)	[3]
Frequency Range	2 – 5400	Hz	
First Resonance Frequency, nominal	>3600	Hz	
Maximum Acceleration, sine pk	102 (1000)	g (m/s ²)	
Maximum Velocity, sine pk	5.2 (1.6)	ft/s (m/s)	
Protection Features	Over-travel		
	Over-current		[4]

Suspension Axial Stiffness 66 (11.5) lbf/in (N/mm)

ELECTRICAL

Maximum Current	10	A	
DC Resistance, armature	3.8	Ω	[5]

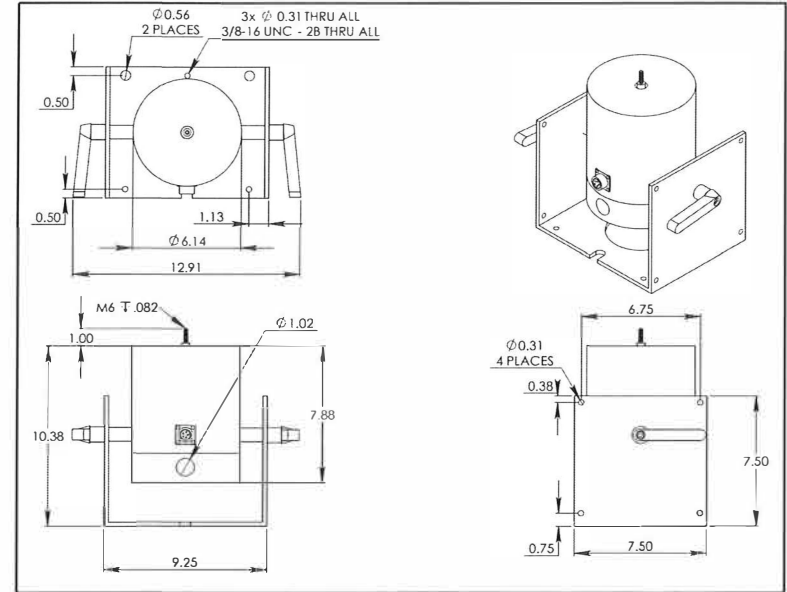
MECHANICAL

Armature Suspension System	8	pcs composite beam	
Effective Armature Mass	1 (0.44)	lb (kg)	
Dimensions (h x w x d), nominal	12x12x8	in	[6]
Weight	30.5x30.5x20.3	cm	
Armature attachment	33 (15)	lbs (kg)	
	M6 with chuck/collet		

ENVIRONMENTAL

Operating Range	41 – 95 (5 – 35)	°F (°C)	
	< 85	% RH	
Continuous Operation	8	hours	

All specifications are at room temperature unless otherwise specified.



RELATED EQUIPMENT

- 2100E21-400 SmartAmp™ Power Amplifier
- 2050E05 Power Amplifier, selectable voltage / current control
- 2100E18 Power Amplifier
- 2150G12 Modal Stingers, 1/16" diameter rod with 10-32 threaded end, pack of three
- 2155G12 Modal Stingers, 3/32" diameter rod with 10-32 threaded end, pack of three
- K2160G Piano Wire Stinger Kit, includes quick disconnect load cell adapter
- 2050A Lateral Excitation Stand
- 2050E03 Cooling Package, 110V portable
- 2050E16 Cooling Package, 220V portable

NOTES:

- [1] Full force range requires forced air cooling and 2100E18 power amplifier
- [2] Requires 2100E18 power amplifier, otherwise maximum output force is 35 lbf.
- [3] Overtravel limit switch at ±13 mm
- [4] 10A fuse
- [5] Room temperature, 20° C
- [6] Reference outline drawing for exact dimensions

SUPPLIED ACCESSORIES:

- Qty 1 exciter cable
- Qty 1 shaker accessory kit
- Qty 3 stinger, 1/16" diameter (2150G12)
- Qty 3 stinger, 3/32" diameter (2155G12)
- Qty 1 piano wire stinger kit (K2160G)

ICP® is a registered trademark of PCB Piezotronics, Inc.

In the interest of constant product improvement, specifications may change without notice.



Project Engineer: <i>ATG</i>	Product Manager: <i>MAP</i>	Mkt Team Leader: <i>DMJ</i>	Spec Number: PS-0043
Date: <i>8/12/11</i>	Date: <i>8.12.11</i>	Date: <i>8/12/11</i>	

THE MODAL SHOP
AN AMPHENOL COMPANY

10310 Aerohub Boulevard
Cincinnati, OH 45215, USA

800-860-4867 Fax (513) 458-2172
513-351-9919

info@modalshop.com
SAM-F020 revNR 04/04/03